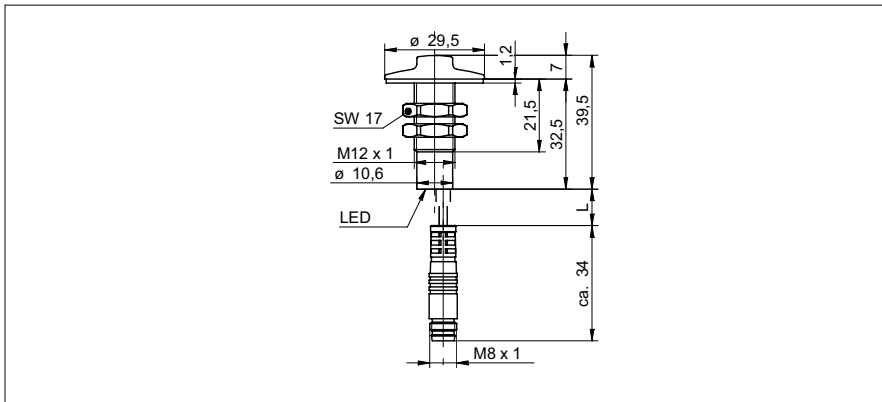


Capacitive proximity sensors

CFAK 12 (Sn = 0,1 mm)

sample drawing



general data

special type	liquid level sensor for wastewater
nominal sensing distance Sn	0,1 mm
mounting type	non-flush
GND electrode	no
temperature drift	± 20 %
sensitivity adjustment	no
output indicator	LED yellow
measurement type	contact with medium

electrical data

voltage supply range +Vs	10 ... 30 VDC
current consumption max. (no load)	12 mA
output current	< 200 mA
voltage drop Vd	< 2,5 VDC
switching frequency	< 15 Hz
short circuit protection	yes
reverse polarity protection	yes

mechanical data

type	cylindrical threaded
housing material	POM
material (screw nut)	POM
material (gasket)	EPDM50
dimension	12 mm
housing length	39,5 mm

ambient conditions

operating temperature	0 ... +50 °C
protection class	IP 67

field of application

detection of non-conductive media	no
fill level detection through container	no
liquids in direct contact	yes
object detection / bulk goods	no

sample picture



Capacitive proximity sensors**CFAK 12 (Sn = 0,1 mm)**

order reference	output circuit	connection types
CFAK 12N1140/KS35L	NPN make function (NO)	flylead connector M8, L=200 mm
CFAK 12N1140/L	NPN make function (NO)	cable, 2 m
CFAK 12N3140/KS35L	NPN break function (NC)	flylead connector M8, L=200 mm
CFAK 12N3140/L	NPN break function (NC)	cable, 2 m
CFAK 12P1140/KS35L	PNP make function (NO)	flylead connector M8, L=200 mm
CFAK 12P1140/L	PNP make function (NO)	cable, 2 m
CFAK 12P3140/KS35L	PNP break function (NC)	flylead connector M8, L=200 mm
CFAK 12P3140/L	PNP break function (NC)	cable, 2 m

