

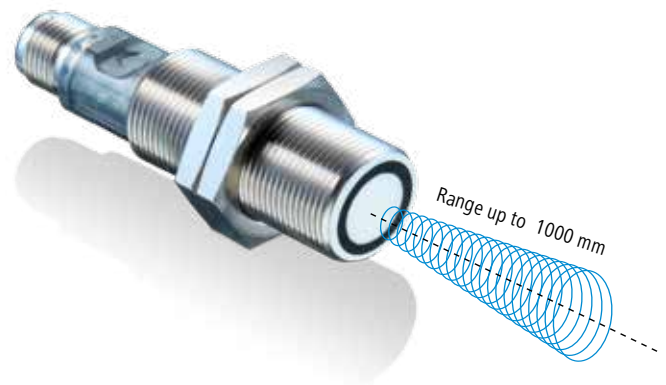
UR18

Functionality and easy handling

Of the three sensor principles available, UR18 ultrasonic sensors can be used most flexibly, whether for object detection, exact acquisition of part location or level measuring. Regardless of whether objects change color, are transparent or high-gloss, UR18 ultrasonic sensors reliably provide the information you require.

Advantage Overview

- Simple and reliable setup thanks to *qTeach*®
- Comfortable, fast control of the sensor from all sides
- Very slender, symmetrical sonic cone for reliable detection even in small container openings
- Range up to 1000 mm
- Different sensor principles in a consistent housing design for a wide range of applications
- Compact design and lifelong robustness
- IP 67



UR18 sensor principles



Proximity switch

- Reliable object detection regardless of background, shape and surface finish of the object
- Application area: Object detection on conveyor belts or presence detection



Distance measuring sensor

- Detection of the distance between sensor and object for precise process control, even in difficult environments and with irregular surfaces such as granules
- Application area: Level measurement, identification of roller diameters and stacking heights

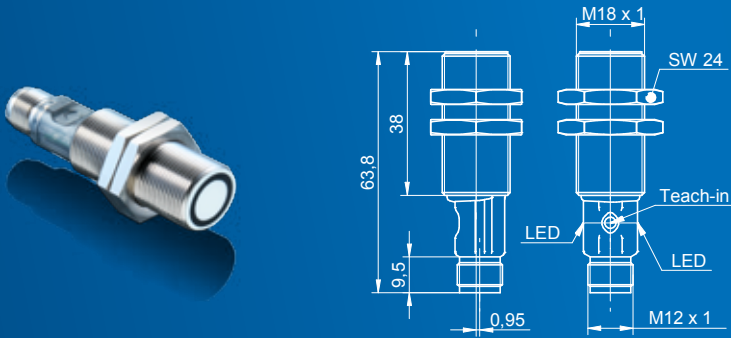


Retro-reflective sensor

- Detection of an object between sensor and reflector with no blind range
- Application area: For sound absorbing objects and objects with extremely irregular surfaces



Product data UR18



Sensor principle	Range	Teach	Output function	Order number
Distance measuring	100–1000 mm	<i>qTeach</i> ® and extern	0 ... 10 VDC	UR18.DA0-11119994
Distance measuring	100–1000 mm	<i>qTeach</i> ® and extern	4 ... 20 mA	UR18.DA0-11135775
Proximity switch	100–1000 mm	<i>qTeach</i> ® and extern	Push-Pull	UR18.PA0-11120038
Retro-reflective sensor	0–1000 mm	<i>qTeach</i> ® and extern	Push-Pull	UR18.RA0-11120042

Accessories



Connector M12,
4 pin, straight, shielded

2m: ESG 34AH0200
5m: ESG 34AH0500
10m: ESG 34AH1000



Connector M12,
4 pin, angular, shielded

2m: ESW 33AH0200
5m: ESW 33AH0500
10m: ESW 33AH1000



Sensofix mounting

10151658



Sonic beam deflector

10164264



Converter 3-point

10163979

For more information about our UR18 sensors go to
www.baumer.com

 **Baumer**
Passion for Sensors

Baumer Group
International Sales
P.O. Box · Hummelstrasse 17 · CH-8501 Frauenfeld
Phone +41 (0)52 728 1122 · Fax +41 (0)52 728 1144
sales@baumer.com · www.baumer.com

we connect
LAUMANS
INDUSTRIAL AUTOMATION

Find your local partners at:
www.baumer.com/worldwide

distributed by www.laumans.com